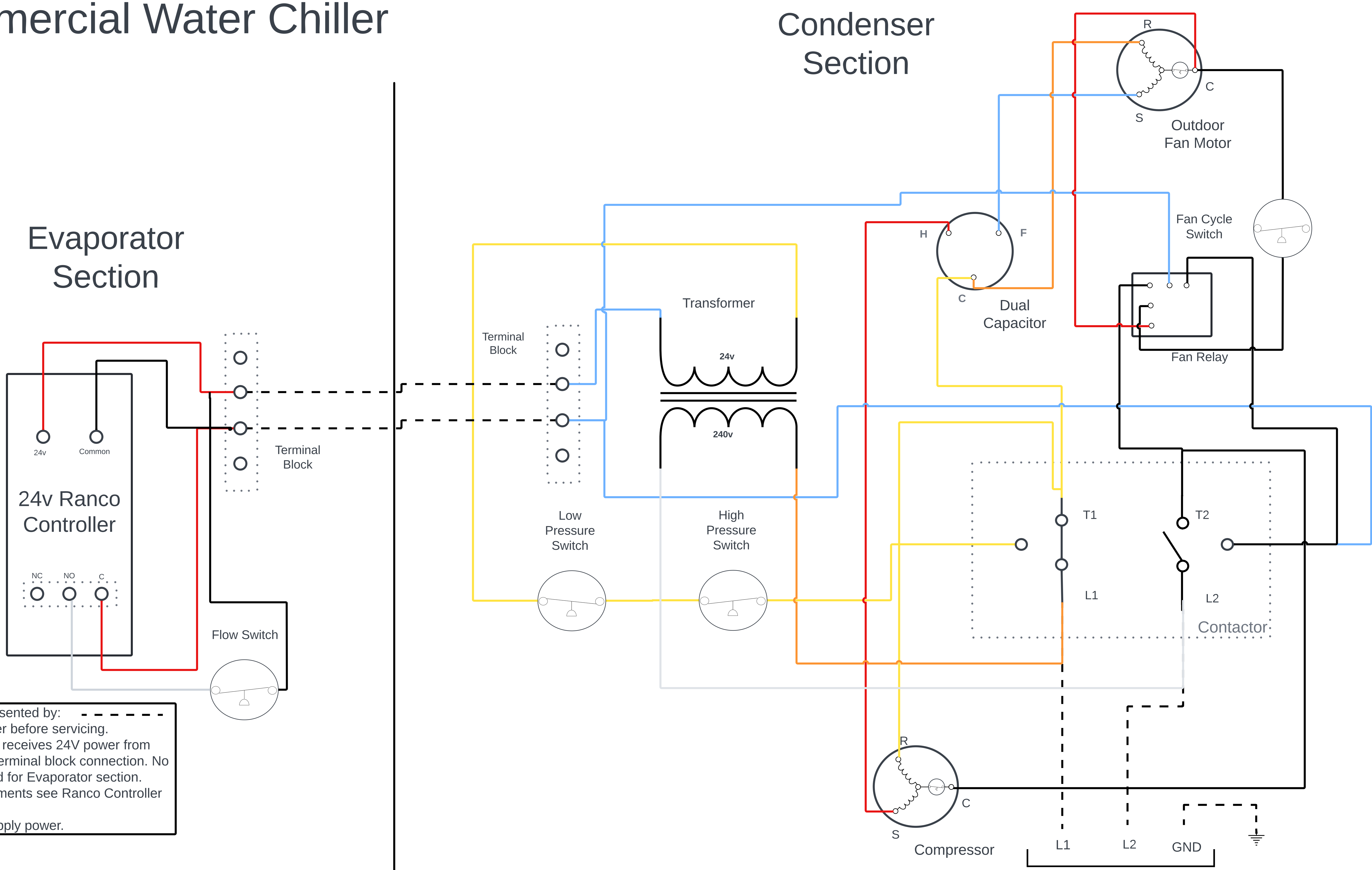


Wiring Diagram

Split Commercial Water Chiller



- Notes:**
1. Field wiring is represented by: - - - - -
 2. Disconnect all power before servicing.
 3. Evaporator section receives 24V power from Condensing section terminal block connection. No supply power required for Evaporator section.
 4. For power requirements see Ranco Controller Documentation.
 5. 208 — 240 Volt supply power.