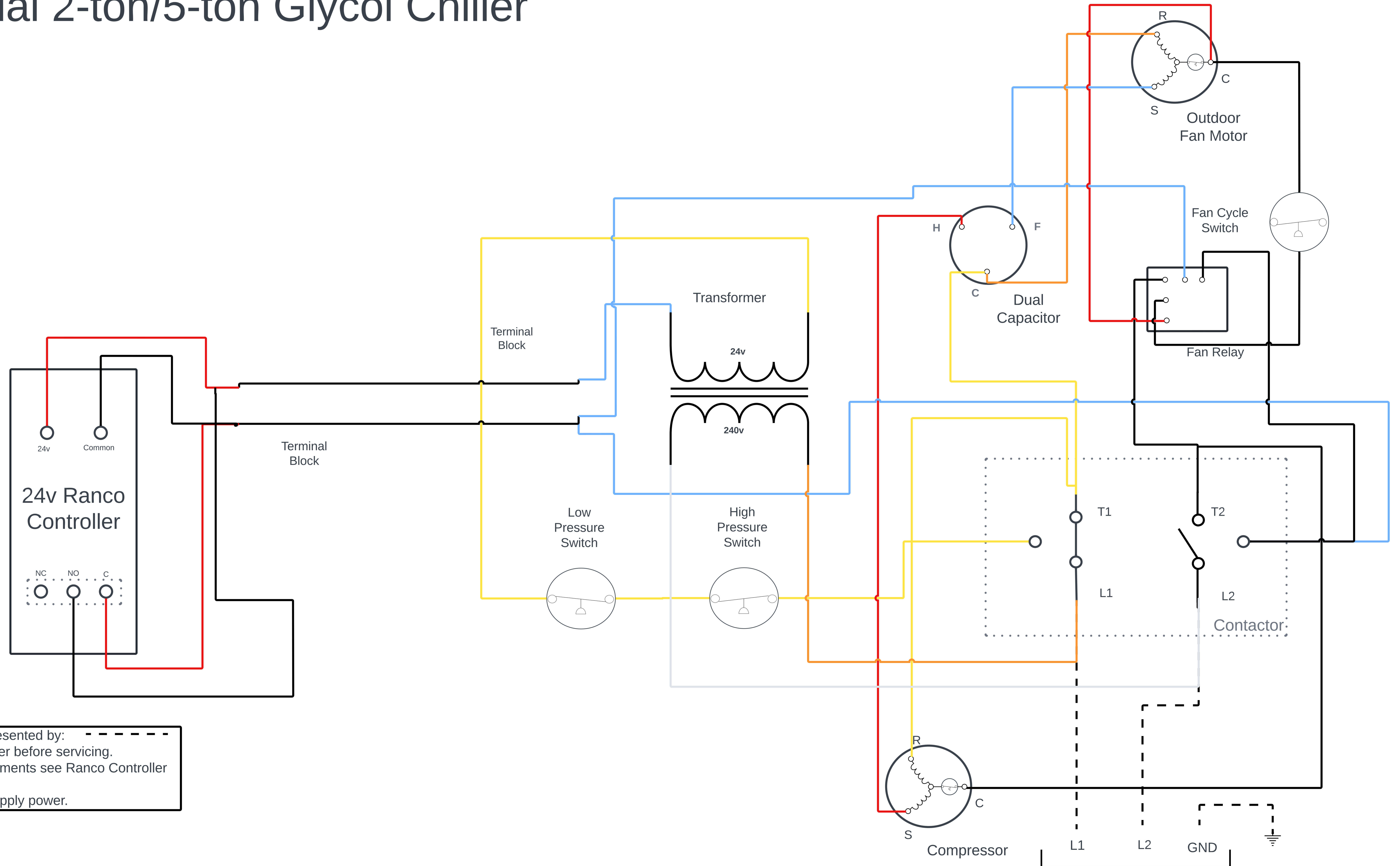


# Wiring Diagram

## Commercial 2-ton/5-ton Glycol Chiller



### Notes:

1. Field wiring is represented by: - - - - -
2. Disconnect all power before servicing.
3. For power requirements see Ranco Controller Documentation.
4. 208 — 240 Volt supply power.